

Part number

CAP 06 LS2



Brief description:

surface mounting housings with single lever, size "44.27", metal cover, Pg21, metal version, IP65

Product description

| | |
|--------------|---|
| Version | metal version |
| Series | surface mounting housings with single lever |
| Product type | with 1 lever |
| Variant | metal cover |
| Style | high construction |
| Family | CLASS enclosures |
| Size | size "44.27" |

Technical data

| | |
|-------------------------|-------|
| Material | metal |
| IP degree of protection | IP65 |
| Cable entry | Pg21 |

Further technical details

| | |
|--------|----------|
| Weight | 370,00 g |
|--------|----------|

Approvals / Standards

| | |
|--------------|---|
| Quality mark |  (type:4/4X/12),  , EAC |
| Conformity | CQC, CE |

General ordering information

| | |
|---------------|---------------|
| EAN13 code | 8015747007450 |
| Tariff number | 85369095 |

Packaging Information

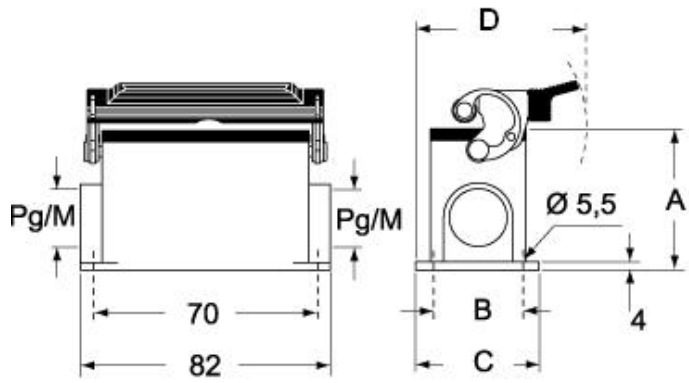
| | |
|---------------------------|-----------------------|
| Packaging length | 475,00 mm |
| Packaging height | 210,00 mm |
| Packaging width | 140,00 mm |
| Packaging weight | 3,70 kg |
| Packaging volume | 13,97 dm ³ |
| Packaging description | Carton box |
| Packaging quantity | 10 Pcs |
| Packaging EAN code | 8015747236119 |
| Sub-packaging weight | 1,85 kg |
| Sub-packaging description | Plastic pakaging |
| Sub-packaging quantity | 5 Pcs |
| Sub-packaging EAN barcode | 8015747236126 |

Part number

CAP 06 LS2

Catalogue drawings

CHP L CAP L - MHP L MAP L



CHP LS CAP LS - MHP LS MAP LS

